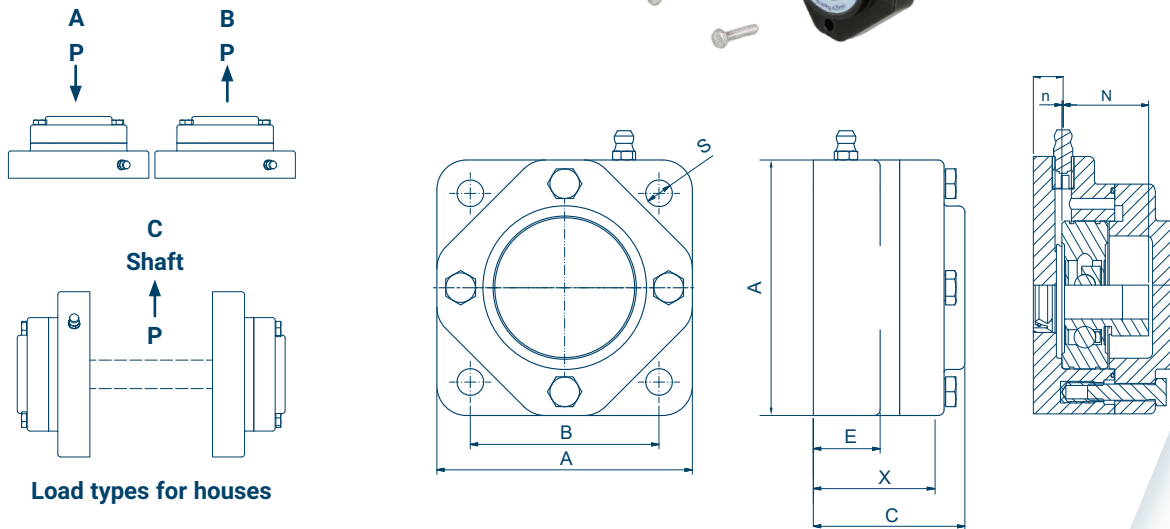


F4 - 4-bolt flange bearing units



Technical specifications & drawings



TYPE F4	Item no. closed cover	Item no. open cover	A	B	C	E	S	X	i	n	N	Weight [kg]	Max load [kN] (Houses)		
													Type A	Type B	Type C
Ø20 mm	NG20F40	NG20F41	86	63.5	51	22.5	9	43	11	0.5	31.0	0.52	9.16	17.44	33.57
Ø25 mm	NG25F40	NG25F41	95	70.0	52	22.5	9	44	11	0.5	31.5	0.63	8.48	25.89	34.41
Ø30 mm	NG30F40	NG30F41	108	82.5	58	22.5	11	48	11	0.5	36.7	0.91	9.35	25.30	37.65
Ø35 mm	NG35F40	NG35F41	118	92.0	60	22.5	13	50	11	0.5	39.4	1.10	9.17	21.54	64.72
Ø40 mm	NG40F40	NG40F41	130	101.5	65	22.5	13	56	11	0.5	44.7	1.50	8.82	27.67	83.17
Ø50 mm	NG50F40	NG50F41	143	111.0	70	26.5	16	58	12	0.5	46.0	1.84	8.83	40.27	112.39
Ø60 mm	NG60F40	NG60F41	175	143.0	82	28.5	18	70	15	0.5	54.8	3.09	9.09	51.08	136.79

All measurements are in millimeters. When ordering please use the catalogue numbers.

BJ-Gear A/S

Niels Bohrs Vej 47
DK-8660 Skanderborg
Denmark

Phone +45 87 40 80 80
Email bj@bj-gear.com
Website www.bj-gear.com